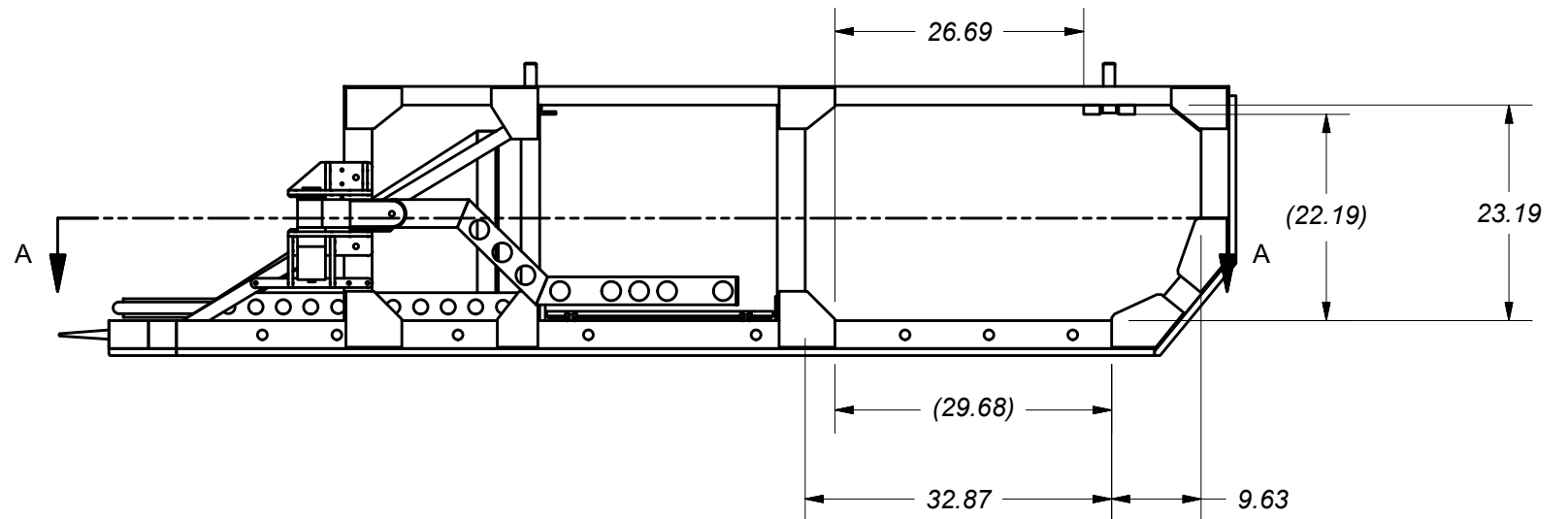
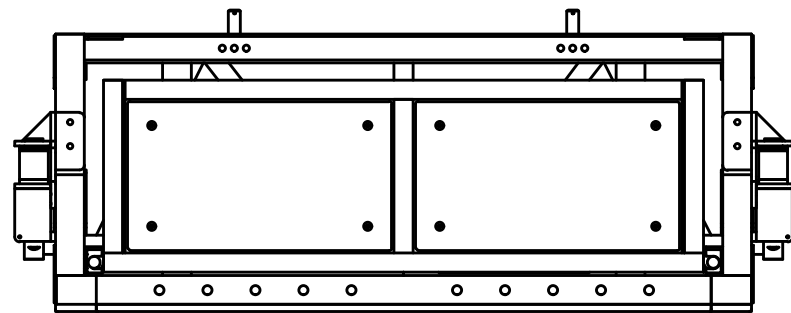


SECTION A-A  
SCALE .05



- NOTE:**
- 1) USE REFERENCE DIMENSIONS TO DETERMINE THE MAXIMUM SIZE OF EQUIPMENT TO BE INSTALLED
  - 2) DESIGN EQUIPMENT WITH REASONABLE CLEARANCES FOR EASE OF MOUNTING AND INSTALLATION

UNLESS OTHERWISE NOTED: DIMENSIONS IN INCHES TOLERANCES:		© COPYRIGHT 2017 WOODS HOLE OCEANOGRAPHIC INSTITUTION		WOODS HOLE OCEANOGRAPHIC INSTITUTION Deep Submergence Laboratory Challenger Drive, WOODS HOLE, MA, 02543	
DECIMAL	ANGULAR	DESIGN	DATE	TITLE	
.xx + 0.01	± 1 deg	MAF	2/20/2018	<b>Jason ROV</b> Science Tool Skid	
.xxx ± 0.005		DRAFT			
BREAK ALL SHARP EDGES R0.02 MIN		CHECKED		SIZE	DWG. NO.
FINISH				B	Rev
SEE APPLICABLE NOTES				Aft Bay Dimensions	
				SCALE	SHEET 1 OF 1